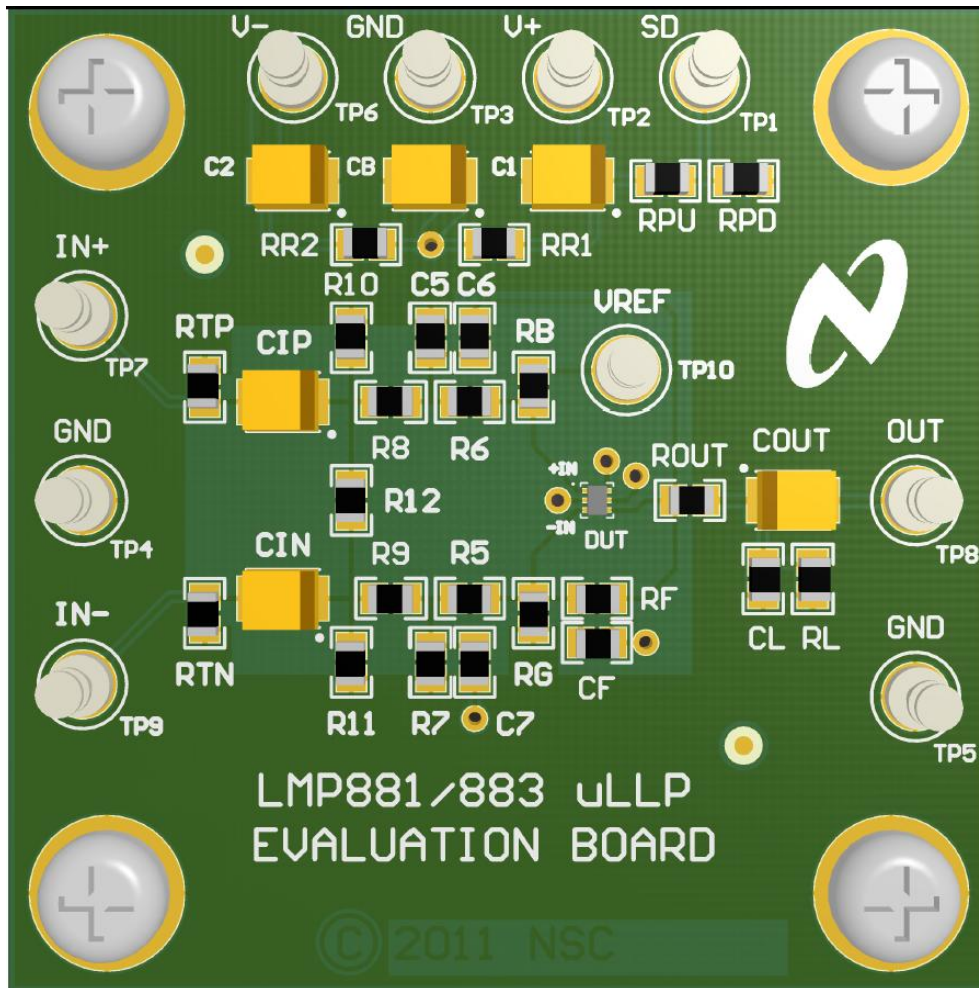


# LMV881 $\mu$ LLP Evaluation Board Users' Guide



(Board shown with optional components installed)

## Overview

The LMV881 Evaluation Board is designed to aid in the evaluation and testing of the LMV881 micro-LLP operational amplifier.

Many basic functions and filters can be implemented by placing the appropriate resistors or capacitors on the appropriate pads.

The circuits can be powered with single or dual supplies.

### 1. Hardware Setup

#### 1.1. Component Notation

While the components are annotated with “R’s” or “C’s”, the mounting pads are the same size, so either R’s or C’s can be placed on the pads – depending on the circuit requirements.

The pads are large enough to accommodate 1206 though 0602 surface mount devices.

#### 1.2. Power

Power is applied to the points labeled V-, GND, and V+.

If a single supply is used, then V- should be connected to GND. It is recommended to short C3 and C4 to tie ground to the V-line.

#### 1.3. Supply Bypassing

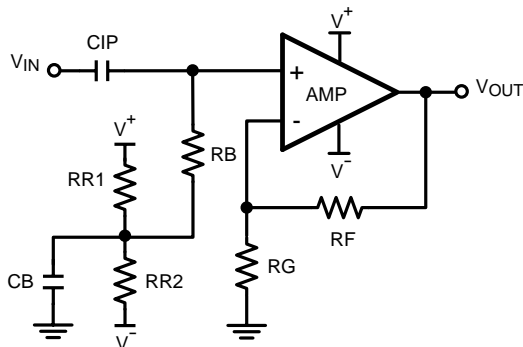
C1 and C2, and C3 and C4 (located rear of board), provide power supply bypassing.

Recommended values are 2.2uF to 33uF for C1 and C2, and 0.1uF for C3 and C4.

#### 1.4. Reference Voltage and Single Supplies

The RR1 and RR2 resistor divider string can be used to generate  $V+/2$  or any other required bias voltage from the V+ and V-supply lines.

CB is provided for filtering and /or AC grounding of the bias point.



Short R8, R6

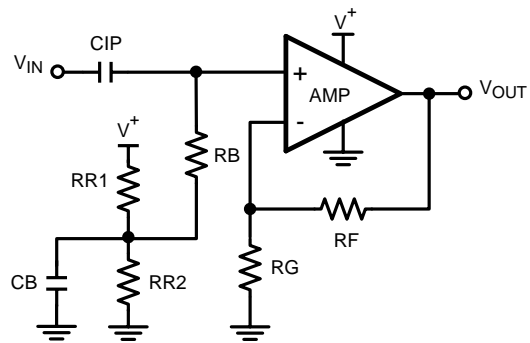
Figure 1. Split Supply Reference Divider

Single-supply operation requires the generation of this virtual ground, usually at a voltage equal to  $V+/2$ .

For single supply circuits where the positive input is grounded directly (as in the multiple feedback filter circuits in the next

section), the RR1 and RR2 bias resistors can provide the reference voltage for this point.

For lowest noise on a directly “grounded” positive input, RB should be shorted.



Short R8, R6, C2, C4

Figure 2. Single Supply Reference Divider

For the circuit in Single Supply Reference DividerFigure 2, the AC input impedance is equal to RB.

#### 1.5. Shutdown

The LMP881 has shutdown with output clamping feature. The output will be internally connected to V- during shutdown.

The LMV881 will be in shutdown mode when the SD pin is below 0.68V. RPU and RPD are optional and provide for adding pull-up, pull-down or voltage divider resistors.

The shutdown input does not have internal pullup resistors and should not be left floating.

RPU can be used to pull-up the shutdown pin to V+. If shutdown is not required, place a short across RPU.

RPD can be used as a pull-down or line termination resistor for the shutdown pin.

RPU and RPD can be used together to create a voltage divider to create a precise shutdown voltage if needed.

## 2. Basic Circuit Configurations

The following section shows how to configure the board for various basic amplifier configurations. Specific details of the circuit topology are available elsewhere and not covered here.

Circuits will depict the split supply application for simplicity.

Circuits can also be used in single-supply applications by adding the reference voltage dividers or an external reference voltage. See the Reference Voltage section for more biasing details.

To reduce clutter, the schematics only show the parts used in the circuit. The text below the schematic will specify which component pads should be shorted. All other components not listed should have their pads left open.

## 2.1. Non-Inverting Amplifier

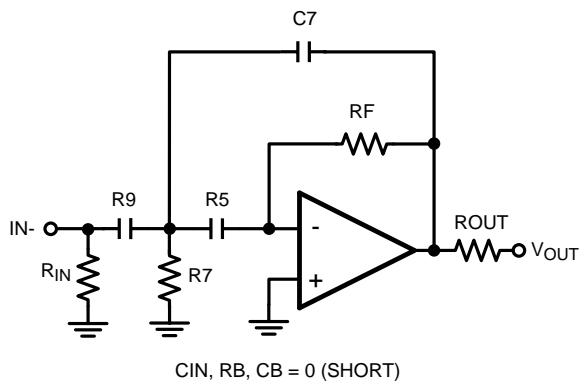


Figure 3. Non-Inverting Amplifier

## 2.2. Inverting Amplifier

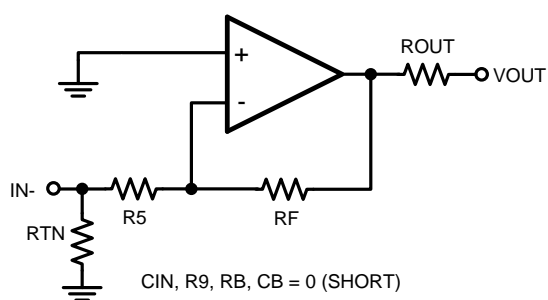


Figure 4. Inverting Amplifier

## 2.3. Transimpedance (I to V) Amplifier

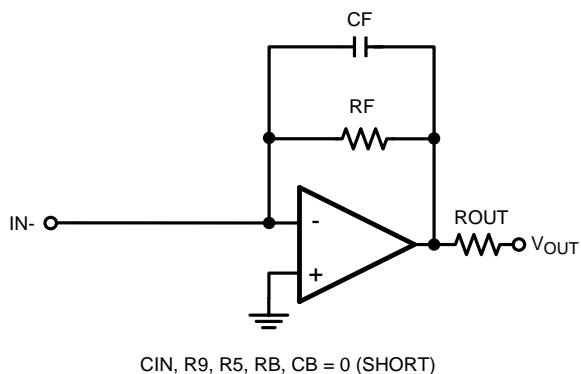


Figure 5. Transimpedance Amplifier

CF is generally required for stability in transimpedance applications. See application note [AN-1803](#) for more details.

## 2.4. Single Stage Differential Amplifier

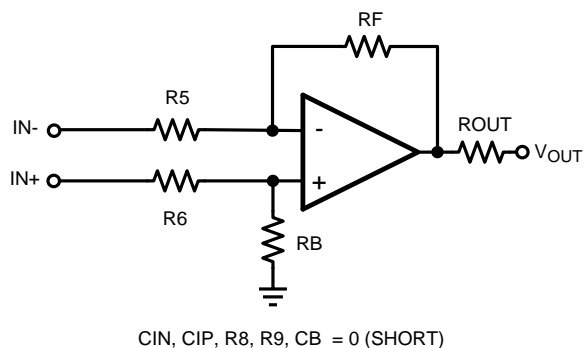


Figure 6. Differential to Single Ended Converter

R12 can be used as a differential termination across the input terminals, if required.

## 3. Active Filter Configurations

Both Multiple Feedback and Sallen-Key filters of up to 2 poles can be built on this evaluation board.

For assistance designing a filter, see the WEBENCH® tool at <http://www.national.com/filters> or the T1 FilterPro software from <http://www.ti.com/tool/filterpro>.

Note that the ground plane has been removed under the input circuitry area to reduce the de-tuning effects of stray capacitance. This should be considered in your final design.

### 3.1. Sallen-Key Low-Pass Filter

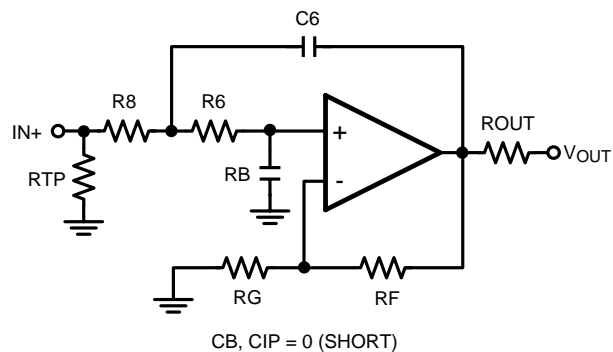


Figure 7. Sallen-Key Low Pass Filter

### 3.2. Multiple Feedback Low Pass Filter

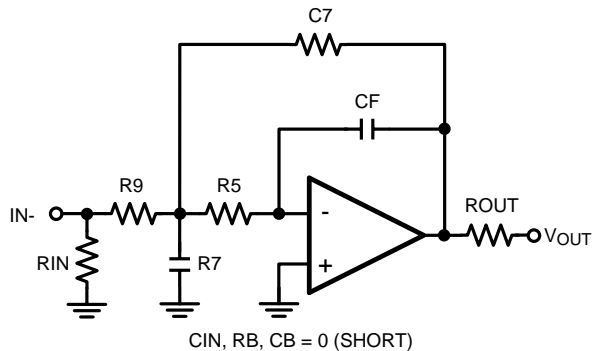


Figure 8. Multiple Feedback Low Pass Filter

### 3.5. Sallen-Key Band Pass Filter

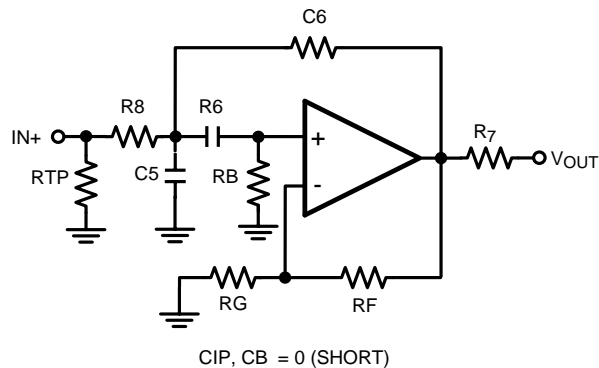


Figure 11. Sallen-Key Band Pass Filter

### 3.3. Sallen Key High-Pass Filter

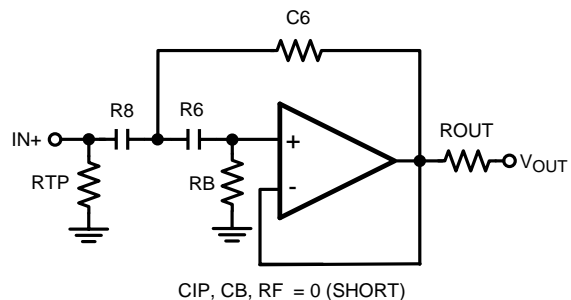


Figure 9. Sallen-Key High-Pass Filter

### 3.6. Multiple Feedback Band-Pass Filter

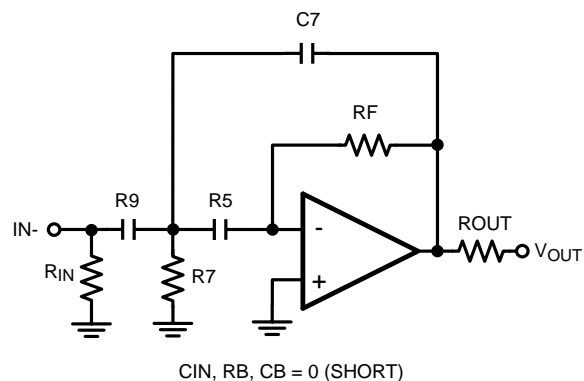


Figure 12. Multiple Feedback Band Pass Filter

### 3.4. Multiple Feedback High Pass Filter

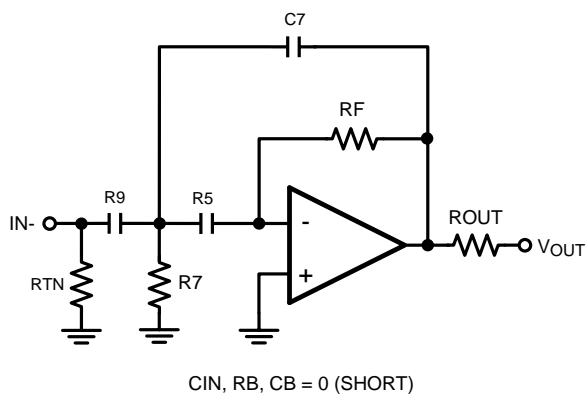


Figure 10. Multiple Feedback High Pass Filter

#### 4. LMV881 Evaluation Board Schematic

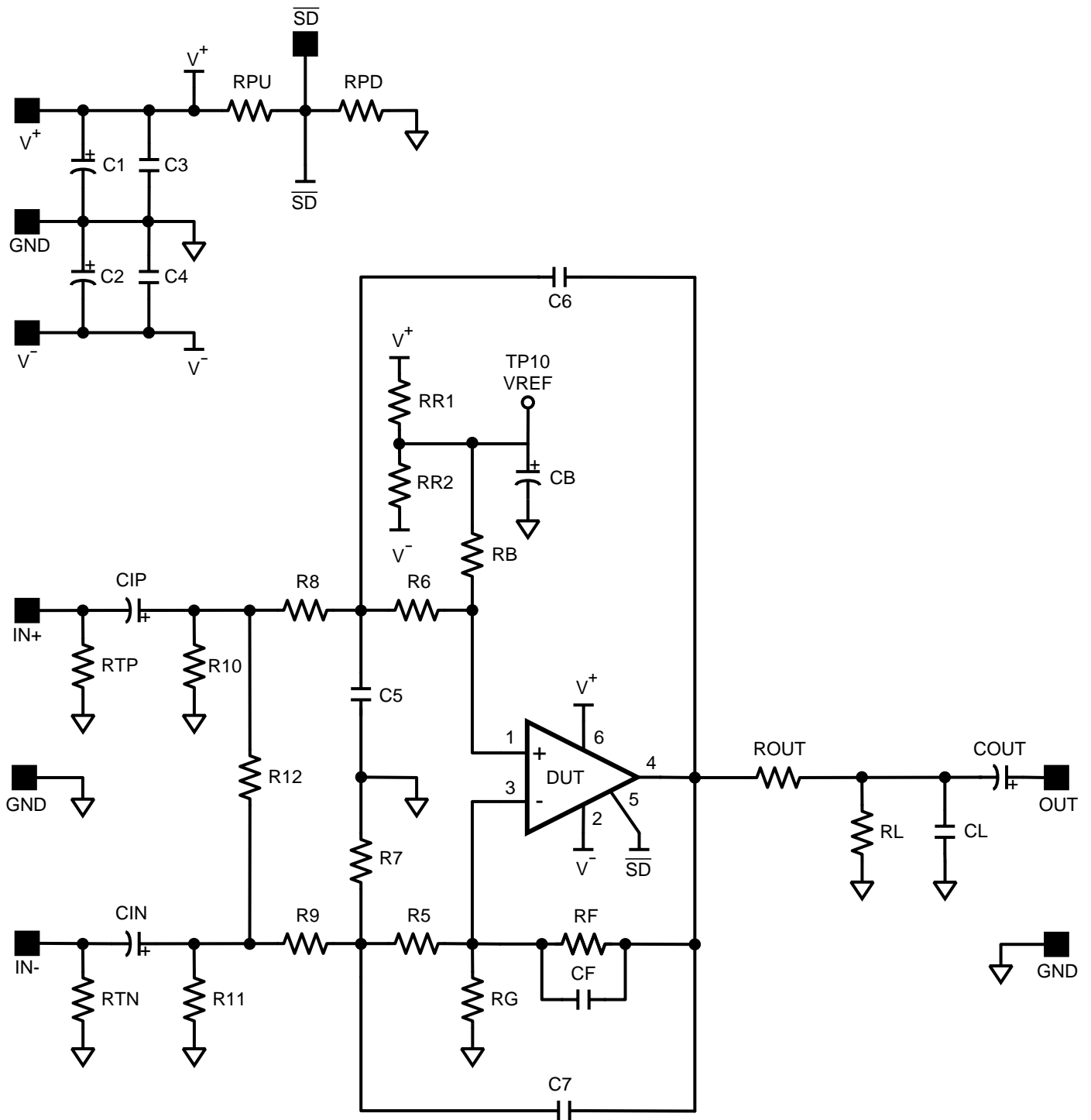


Figure 13. Demo Board Schematic

## 5. Bill of Materials

| Designator  | Description   | Manufacturer           | PartNumber         |
|---|---|------------------------|--------------------|
| C5, C6, CF, CL, R5, R6, R7, R8, R9, R10, R11, R12, RB, RF, RG, RL, ROUT, RPD, RPU, RR1, RR2, RTN, RTP, CB, CIN, CIP, COUT | Customer Defined Components                               |                        |                    |
| C1, C2  | CAP, TANT, 33uF, 10V, +/-10%, 3528-21 SMD                 | Vishay-Sprague         | 293D336X9010B2TE3  |
| C3, C4  | CAP, CERM, 0.1uF, 16V, +/-10%, X7R, 0603                  | MuRata                 | GRM188R71C104KA01D |
| DUT   | LMV881 23MHz OpAmp with Shutdown                          | National Semiconductor | LMV881LE           |
| H1, H2, H5, H6  | Standoff, Hex, 0.5"L #4-40 Nylon                          | Keystone               | 1902C              |
| H3, H4, H7, H8  | Machine Screw, Round, #4-40 x 1/4, Nylon, Philips panhead | B&F Fastener Supply    | NY PMS 440 0025 PH |
| TP1, TP2, TP3, TP4, TP5, TP6, TP7, TP8, TP9, TP10   | Terminal, Turret, TH, Double                              | Keystone               | 1502-2             |

\* = Optional – not stuffed – customer provided

6. Notes

## IMPORTANT NOTICE

Texas Instruments Incorporated and its subsidiaries (TI) reserve the right to make corrections, modifications, enhancements, improvements, and other changes to its products and services at any time and to discontinue any product or service without notice. Customers should obtain the latest relevant information before placing orders and should verify that such information is current and complete. All products are sold subject to TI's terms and conditions of sale supplied at the time of order acknowledgment.

TI warrants performance of its hardware products to the specifications applicable at the time of sale in accordance with TI's standard warranty. Testing and other quality control techniques are used to the extent TI deems necessary to support this warranty. Except where mandated by government requirements, testing of all parameters of each product is not necessarily performed.

TI assumes no liability for applications assistance or customer product design. Customers are responsible for their products and applications using TI components. To minimize the risks associated with customer products and applications, customers should provide adequate design and operating safeguards.

TI does not warrant or represent that any license, either express or implied, is granted under any TI patent right, copyright, mask work right, or other TI intellectual property right relating to any combination, machine, or process in which TI products or services are used. Information published by TI regarding third-party products or services does not constitute a license from TI to use such products or services or a warranty or endorsement thereof. Use of such information may require a license from a third party under the patents or other intellectual property of the third party, or a license from TI under the patents or other intellectual property of TI.

Reproduction of TI information in TI data books or data sheets is permissible only if reproduction is without alteration and is accompanied by all associated warranties, conditions, limitations, and notices. Reproduction of this information with alteration is an unfair and deceptive business practice. TI is not responsible or liable for such altered documentation. Information of third parties may be subject to additional restrictions.

Resale of TI products or services with statements different from or beyond the parameters stated by TI for that product or service voids all express and any implied warranties for the associated TI product or service and is an unfair and deceptive business practice. TI is not responsible or liable for any such statements.

TI products are not authorized for use in safety-critical applications (such as life support) where a failure of the TI product would reasonably be expected to cause severe personal injury or death, unless officers of the parties have executed an agreement specifically governing such use. Buyers represent that they have all necessary expertise in the safety and regulatory ramifications of their applications, and acknowledge and agree that they are solely responsible for all legal, regulatory and safety-related requirements concerning their products and any use of TI products in such safety-critical applications, notwithstanding any applications-related information or support that may be provided by TI. Further, Buyers must fully indemnify TI and its representatives against any damages arising out of the use of TI products in such safety-critical applications.

TI products are neither designed nor intended for use in military/aerospace applications or environments unless the TI products are specifically designated by TI as military-grade or "enhanced plastic." Only products designated by TI as military-grade meet military specifications. Buyers acknowledge and agree that any such use of TI products which TI has not designated as military-grade is solely at the Buyer's risk, and that they are solely responsible for compliance with all legal and regulatory requirements in connection with such use.

TI products are neither designed nor intended for use in automotive applications or environments unless the specific TI products are designated by TI as compliant with ISO/TS 16949 requirements. Buyers acknowledge and agree that, if they use any non-designated products in automotive applications, TI will not be responsible for any failure to meet such requirements.

Following are URLs where you can obtain information on other Texas Instruments products and application solutions:

### Products

|                             |  |
|-----------------------------|--|
| Audio                       | <a href="http://www.ti.com/audio">www.ti.com/audio</a>             |
| Amplifiers                  | <a href="http://amplifier.ti.com">amplifier.ti.com</a>             |
| Data Converters             | <a href="http://dataconverter.ti.com">dataconverter.ti.com</a>     |
| DLP® Products               | <a href="http://www.dlp.com">www.dlp.com</a>                       |
| DSP                         | <a href="http://dsp.ti.com">dsp.ti.com</a>                         |
| Clocks and Timers           | <a href="http://www.ti.com/clocks">www.ti.com/clocks</a>           |
| Interface                   | <a href="http://interface.ti.com">interface.ti.com</a>             |
| Logic                       | <a href="http://logic.ti.com">logic.ti.com</a>                     |
| Power Mgmt                  | <a href="http://power.ti.com">power.ti.com</a>                     |
| Microcontrollers            | <a href="http://microcontroller.ti.com">microcontroller.ti.com</a> |
| RFID                        | <a href="http://www.ti-rfid.com">www.ti-rfid.com</a>               |
| RF/IF and ZigBee® Solutions | <a href="http://www.ti.com/lprf">www.ti.com/lprf</a>               |

### Applications

|                               |  |
|-------------------------------|--|
| Communications and Telecom    | <a href="http://www.ti.com/communications">www.ti.com/communications</a>                 |
| Computers and Peripherals     | <a href="http://www.ti.com/computers">www.ti.com/computers</a>                           |
| Consumer Electronics          | <a href="http://www.ti.com/consumer-apps">www.ti.com/consumer-apps</a>                   |
| Energy and Lighting           | <a href="http://www.ti.com/energy">www.ti.com/energy</a>                                 |
| Industrial                    | <a href="http://www.ti.com/industrial">www.ti.com/industrial</a>                         |
| Medical                       | <a href="http://www.ti.com/medical">www.ti.com/medical</a>                               |
| Security                      | <a href="http://www.ti.com/security">www.ti.com/security</a>                             |
| Space, Avionics and Defense   | <a href="http://www.ti.com/space-avionics-defense">www.ti.com/space-avionics-defense</a> |
| Transportation and Automotive | <a href="http://www.ti.com/automotive">www.ti.com/automotive</a>                         |
| Video and Imaging             | <a href="http://www.ti.com/video">www.ti.com/video</a>                                   |
| Wireless                      | <a href="http://www.ti.com/wireless-apps">www.ti.com/wireless-apps</a>                   |

TI E2E Community Home Page

[e2e.ti.com](http://e2e.ti.com)

Mailing Address: Texas Instruments, Post Office Box 655303, Dallas, Texas 75265  
Copyright © 2011, Texas Instruments Incorporated